



BEOK 2025 CATALOG

**Non-WiFi Wireless Thermostat
for Gas Boiler**



 Shine Wang
 +86-13127755172
 shine.wang@beok-controls.com
 www.beok-controls.com
 www.beoks.com

About BEOK

CE RoHS RED EAC

Shanghai Beok Controls Co., Ltd, founded in 2010, has over 10 years experience to integrate the research, development and production of HVAC control system products. We adhere to the strict and practical product requirements, and take a serious and responsible attitude to provide every customer with better products and better services.



BEOK Service



Customize
Program



Customize
App



Design/
Printing



Customize
Product Color



Customize
Package



ODM
Service

Non-WiFi Thermostat for Gas Boiler

There are two types of gas boiler thermostats, wired and wireless.

Wireless Thermostat for Gas Boiler

The receiver is connected to the boiler and the thermostat is wirelessly connected to the receiver via RF.

Gas boiler
with dry contact

AC 230V



Passive
connection

3 Batteries



Main Functions of BEOK Thermostats



Programmable schedule

Set the temperature for each time of day and make it cycle automatically every day.



Temperature calibration

Calibrate thermostat display to actual room temperature.



Child lock

Lock the keypad when you need it to avoid misuse.



Non-volatile memory

Various current settings of the thermostat can be memorized in case of power failure.



Anti-freeze

Maintains room temperature at 5°C to prevent electronic devices from freezing. Can be turned on or off in the advanced settings.



Adjustable backlight

The brightness of the backlight can be adjusted so that the glare does not affect your rest.



Constant temperature

The temperature hysteresis can be set to a minimum of 0.5°C, effectively preventing indoor temperature differences.

Individual functions may vary depending on the model, please refer the product introduction page for details.

Contents

BOT-R7X

👉 P07



BOT-X306

👉 P08



BOT-R6X

👉 P09



Model No.

BOT-R7-X



Thermostat 118x86x24mm. Receiver 94x85x27mm.
Touch keys and knob adjustment.



BOT-R7W-X



BOT-R7B-X



Mounting Options



Can be wall-mounted or placed on a tabletop.

Technical Data

Power Supply
Thermostat: 1.5V×3 (3 sections of 1.5V AA battery) and USB
Receiver: 110~220 VAC

Current Load
3A

Temp. control accuracy
±1°C

Setting temp. range
5-99°C (factory default 5-35°C)

Limiting temp. range
5-99°C

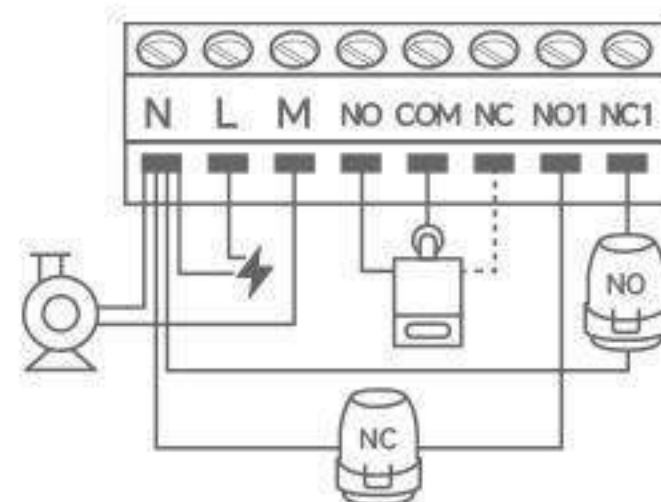
Power Consumption
<0.15W

Temperature hysteresis
±0.5~±9.9°C Adjustable (default ±1°C)

Sensing Element
NTC

Wiring Diagram of the Receiver

For Gas Boiler



Selection Table

Model	Power Supply			Application	Remote Control	Additional
	<Thermostat> USB type C (5V)	<Thermostat> 3X 1.5V AA battery	<Receiver> AC 230V			
BOT-R7W-X	✓	✓	✓	✓	✗	✗
BOT-R7B-X	✓	✓	✓	✓	✗	✗

Model No.

BOT-X306 

Thermostat: 130x91x21mm. Touch keys.
Receiver: 85x85x28mm.



Technical Data

Working Voltage

Thermostat: Two 1.5V AA batteries.
Receiver: 220V

Current Load
3A

Consumption

<0.3W

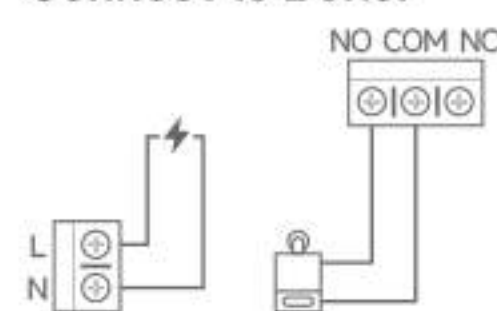
Temp. control accuracy

0.5-5°C

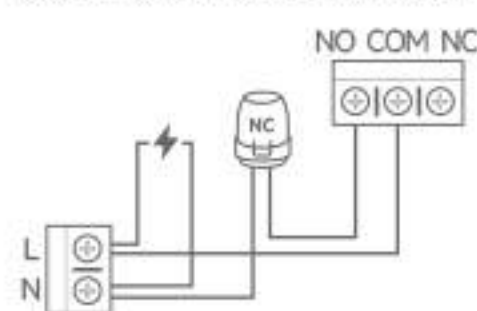
Setting temp. range
5-99°C


Wiring Diagram of the Receiver

Connect to Boiler



Connect to Actuator




Screw mounted to wall, no mounting box required

Selection Table

Model	Power Supply		Application	Remote Control
	<Thermostat> 2 X 1.5V AA battery	<Receiver> AC 230V		
BOT-X306	✓	✓	✓	✗

Model No.

BOT-R6X



Thermostat: 86x102x78mm (Dimensions after installation with holder). Touch keys. Receiver: 94x85x27mm.



Mounting Options



Can be wall-mounted or placed on a tabletop.



Technical Data

Power supply

Thermostat: three 1.5V AA batteries or USB powered (Type C)
Receiver: 110~220 VAC

Current load

3A (Resistive)

Temperature sensor

NTC

Temperature accuracy

±1°C

Power consumption

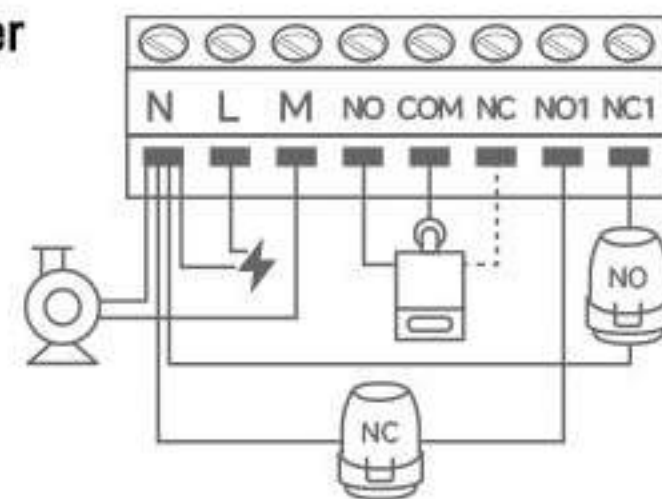
<170 μW

Temperature hysteresis

±0.5~±9.9°C Adjustable (default ±1°C)

Wiring Diagram of the Receiver

For Gas Boiler



Selection Table

Model	Power Supply			Application	Remote Control
	<Thermostat> USB type C (5V)	<Thermostat> 3 X 1.5V AA battery	<Receiver> AC 230V		
BOT-R6X	✓	✓	✓	✓	✗



Beok Controls

